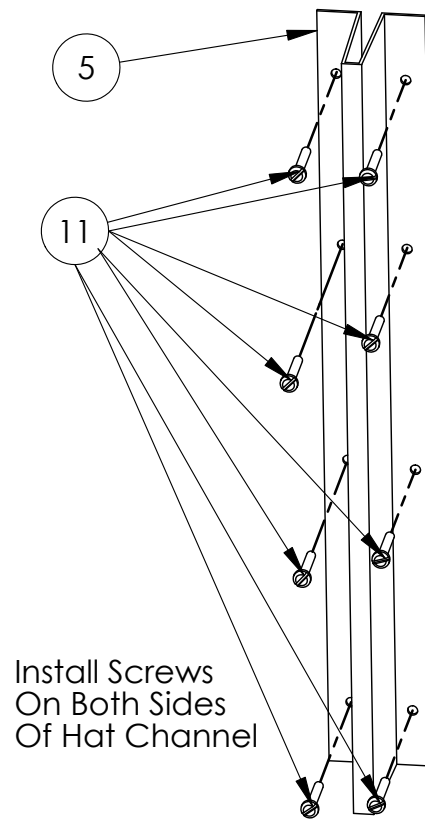
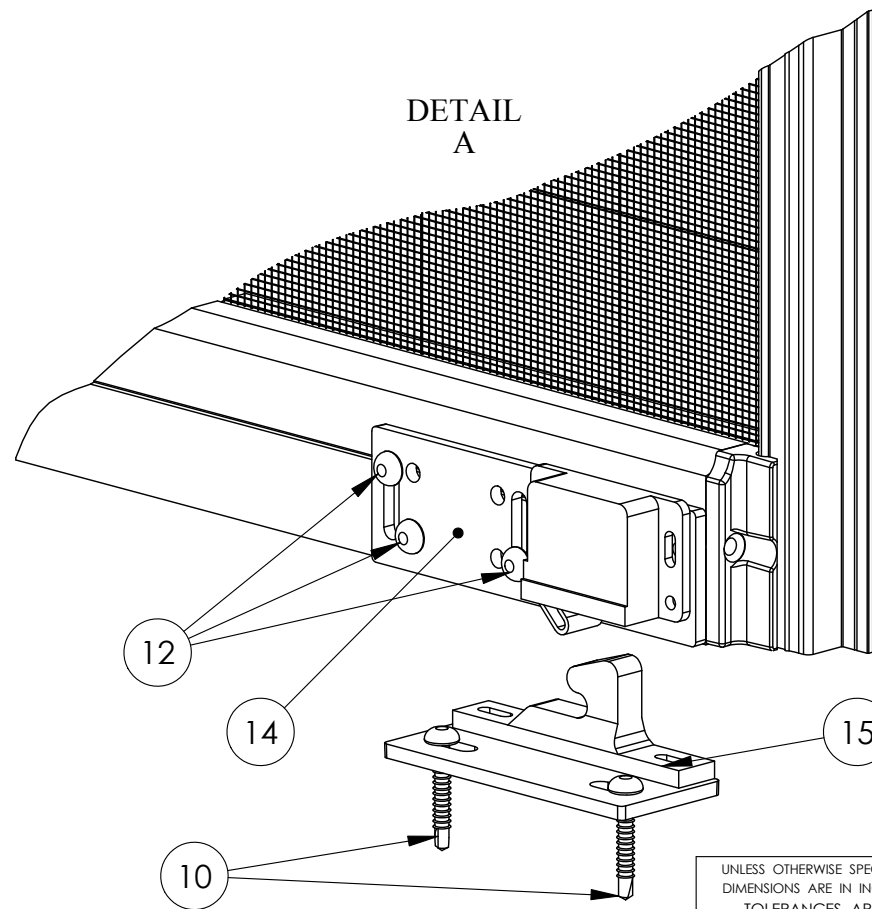


VERY IMPORTANT  
TO MAKE SURE THE  
RAIL FLANGE IS ALL THE  
WAY UNDER THE HOUSING  
TAB



Install Screws  
On Both Sides  
Of Hat Channel

ITEM NO.	DESCRIPTION	Default/QTY
1	HOUSING	1
2	End Cap-Spring Side	1
3	End Cap-Pin Side	1
4	Roller	1
5	Hat Channel	2
6	Side Rail	2
7	Pull Bar End Cap-Spring	1
8	Pull Bar End Cap-Pin	1
9	Handle Plug	2
10	#8 x 1 Panhead Tek	24
11	#8 x 1/2 Panhead tek	8
12	#8 x 3/4 Panhead Tek	6
13	#8 x 1-1/2 Panhead	2
14	Latch Mounting Plate	2
15	Latch Base Plate	2
16	#8 x 1 TEK FLATHEAD	2
17	#8 x 1 FLATHEAD	4
18	Pull Bar	1
19	Handle	1

SURFACE FINISH 32/  
UNLESS OTHERWISE NOTED

**PROPRIETARY AND CONFIDENTIAL**  
THE INFORMATION CONTAINED IN  
THIS DRAWING IS THE SOLE PROPERTY  
OF STOETT INDUSTRIES. ANY  
REPRODUCTION IN PART OR AS IN A  
WHOLE WITHOUT THE WRITTEN  
PREMISSION OF STOETT INDUSTRIES  
IS PROHIBITED.

UNLESS OTHERWISE SPECIFIED DIMENSIONS ARE IN INCHES TOLERANCES ARE:	
DECIMALS	ANGLES
.X ± .1	± 1°
.XX ± .01	
.XXX ± .005	
MATERIAL	
FINISH	
<b>DO NOT SCALE DRAWING</b>	

CAD GENERATED DRAWING, DO NOT MANUALLY UPDATE	
APPROVALS	DATE
DRAWN R. DeSota	11-22-06
CUSTOMER STOETT INDUSTRIES	
CONTACT Chris Stover	
VOLUME	
MASS	

<b>STOETT</b> INDUSTRIES		TITLE: SportScreen Exploded Diagram W/Grabber	
SIZE B	DWG. NO. SportScreen Exploded Diagram W/Grabber	REV. D	
SCALE NONE	CAD FILE: Top ASM	SHEET 1	OF 1