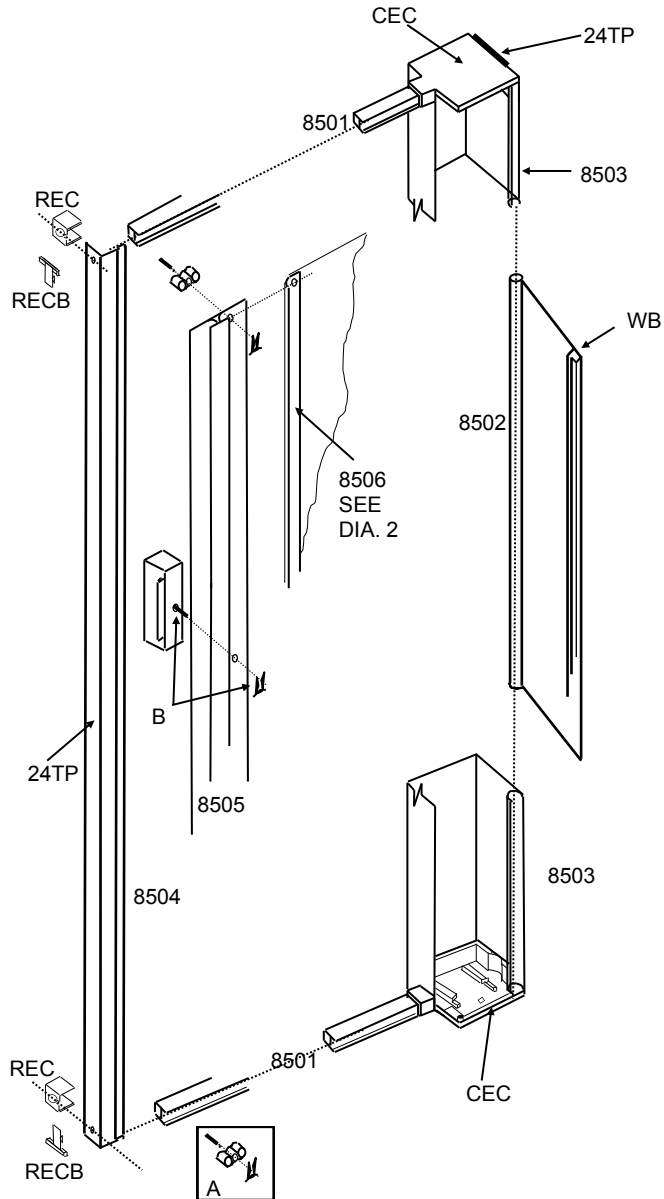


**SHUB SCREEN - PARTS LIST SIZE 62 X 36'**  
**SUPPLIER NEWLINE INTERNATIONAL.**



**SHUB FRAME PART NUMBERS AND DESCRIPTIONS.**

Part I.D	Description	Qty	UM	Cut Size
8503	Aluminum canister (pt1)	1	Ea	
8502	Back plate (pt2)	1	Ea	
8501	Shower track	2	Ea	
8504	Aluminum shower door jamb. (Includes fixing tape (Pt 9), and support buttons (Pt 7) fitted.	1	Ea	
CEC	Canister end caps	1	Pr	
REC	Rail end caps. Snap fit to support buttons.	1	Pr	
RECB	Rail end cap support buttons.	1	Pr	
WB	Wiper blade . ( Clear vinyl insert )	1	Ea	62"
24TP	24 mm wide double sided tape . For fixing wall jamb ( Part 8504 ) to side wall.	1		62"
24TP	24 mm wide double sided tape. For fixing canister ( Pt 8503 ) to side wall.	1		62"
8505	Handle	1	EA	
8506	"J " section	1	EA	
A	Top + Bottom Slider assembly- with pin and circlip	1	PR	
B	Hand grip, pin and circlip assembly	1	ea	

Diagram 2.  
 36" screen assem  
 ( Refill available

