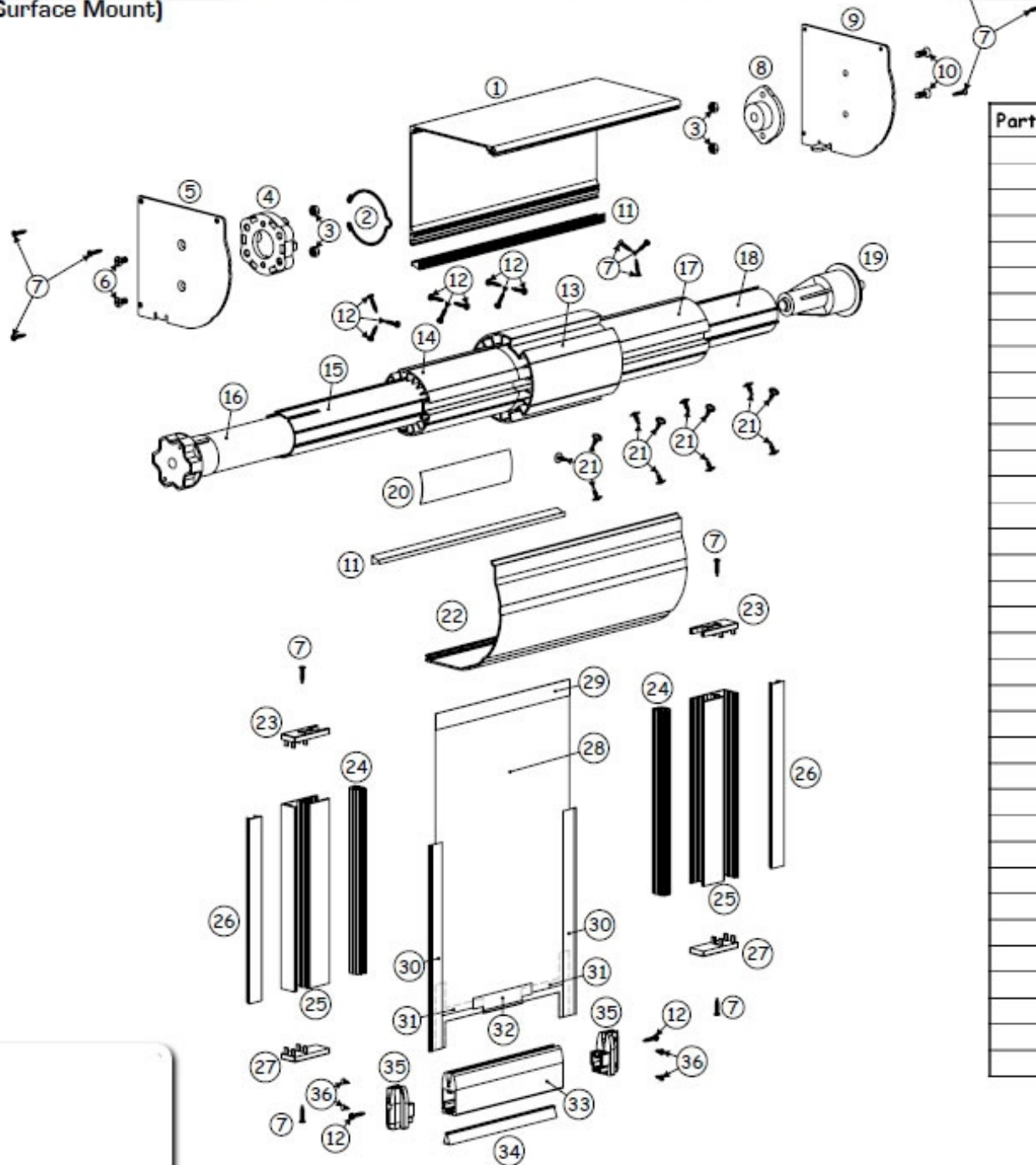


Series 5 Power Screen

(Surface Mount)



Part Reference	Qty	Description
1	1	Series 5 Housing Base
2	1	Motor Mount Spring Clip
3	4	M6 X 10mm Hex Head Nut
4	1	Motor Mount Bracket
5	1	Series 5 Left Housing End Cap
6	2	M6 X 12mm Flat Head Machine Screw
7	13	6-20X3/4" Self Drill Flat Head Screw
8	1	10mm Idler Mount
9	1	Series 5 Right Housing End Cap
10	2	M6 X 16mm Flat Head Machine Screw
11	2	1/2" Housing Brush
12	11	6-20X3/4" Self Drill Pan Head Screw
13	1	Series 5 Outer Roller Tube
14	1	Series 4 Outer Roller Tube (Motor)
15	1	Series 4 Inner Roller Tube (Motor)
16	1	Somfy Motor
17	1	Series 4 Outer Roller Tube (Idler)
18	1	Series 4 Inner Roller Tube (Idler)
19	1	10mm Spring Loaded Idler
20	1	Adhesive Hook
21	12	8-18X1/2" Self Drill Washer Head Screw
22	1	Series 5 Housing Cover
23	2	Standard Side Track Top Cap
24	2	PVC Side Track Retainer
25	2	Standard Side Track
26	2	Standard Side Track Cover
27	2	Standard Side Track Bottom Cap
28	1	Screen Fabric
29	1	Sewn Loop
30	2	Vertical Zipper
31	2	Reinforcement Tab
32	1	Horizontal Zipper
33	1	Hem Bar
34	1	Hem Bar Brush
35	2	Hem Bar End Cap
36	2	#6X3/8" Flat Head Tap Screw