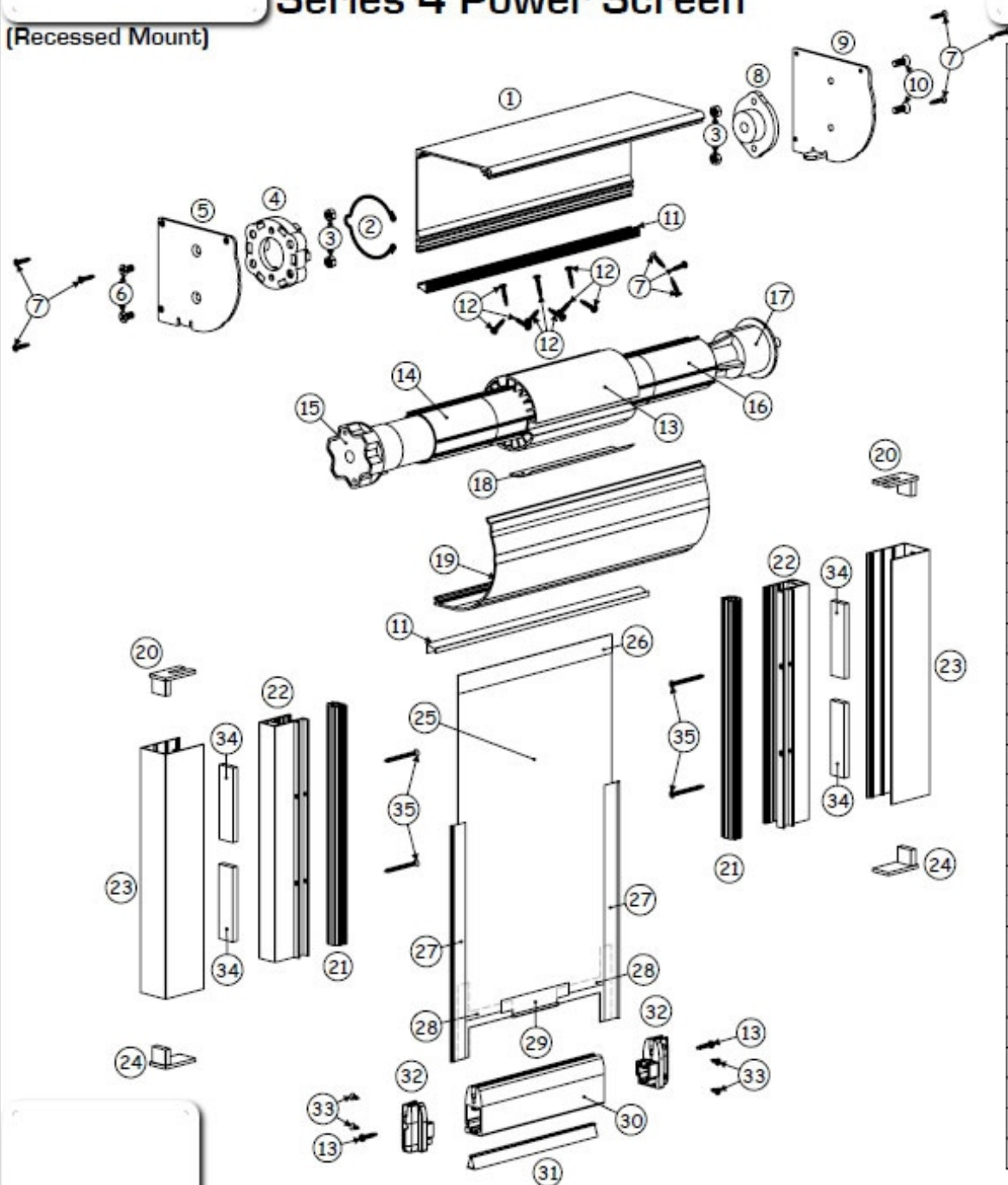


Series 4 Power Screen

(Recessed Mount)



Part Reference	Qty	Description
1	1	Series 4 Housing Base
2	1	Motor Mount Spring Clip
3	4	M6 X 10mm Hex Head Nut
4	1	Motor Mount Bracket
5	1	Series 4 Left Housing End Cap
6	2	M6 X 12mm Flat Head Machine Screw
7	13	6-20X3/4" Self Drill Flat Head Screw
8	1	10mm Idler Mount
9	1	Series 4 Right Housing End Cap
10	2	M6 X 16mm Flat Head Machine Screw
11	2	1/2" Housing Brush
12	11	6-20X3/4" Self Drill Pan Head Screw
13	1	Series 4 Outer Roller Tube
14	1	Series 4 Inner Roller Tube (Motor)
15	1	Somfy Motor
16	1	Series 4 Inner Roller Tube (Idler)
17	1	10mm Spring Loaded Idler
18	1	Adhesive Hook
19	1	Series 4 Housing Cover
20	2	Recessed Side Track Top Cap
21	2	PVC Side Track Retainer
22	2	Recessed Side Track
23	2	Recessed Side Track Cover
24	2	Recessed Side Track Bottom Cap
25	1	Screen Fabric
26	1	Sewn Loop
27	2	Vertical Zipper
28	2	Reinforcement Tab
29	1	Horizontal Zipper
30	1	Hem Bar
31	1	Hem Bar Brush
32	2	Hem Bar End Cap
33	2	#6X3/8" Flat Head Tap Screw
34	TBD*	1/2" Thick Adhesive Foam
35	TBD*	#6X1-3/4" Flat Head Sheet Screw

*Quantity is determined by the height of the unit.